

● Parts

● Bauteile

● Pièces

● Piezas

● Parti

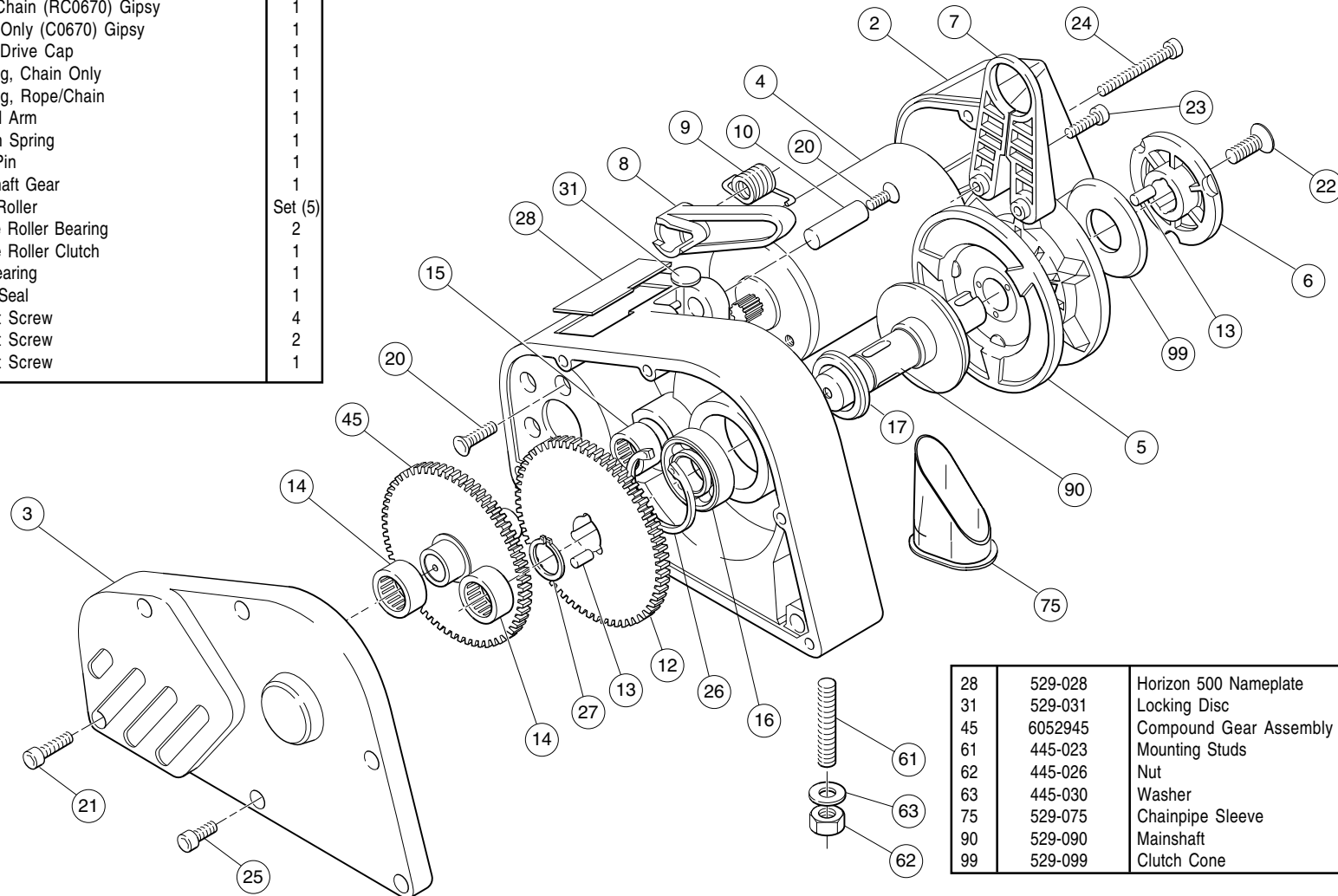
● Delar



Item No.	Part or Spares Number	Description	Qty.
1	6052901	Maincase (Incl. Item No. 15, 16 & 26)	1
2	6052902	Motor Cover	1
3	6052903	Gear Train Cover (Incl. Item No. 14x2)	1
4	6052904	12V/150W Electric Motor	1
5	605298RC6	Rope/Chain (RC0761) Gipsy	1
or 5	605298RC7	Rope/Chain (RC0670) Gipsy	1
or 5	605298C7	Chain Only (C0670) Gipsy	1
6	529-006	Gipsy Drive Cap	1
7	6052907C	Fleming, Chain Only	1
or 7	6052907	Fleming, Rope/Chain	1
8	6052908	Control Arm	1
9	6052909	Torsion Spring	1
10	529-010	Pivot Pin	1
12	529-012	Mainshaft Gear	1
13	6044518	Drive Roller	Set (5)
14	529-014	Needle Roller Bearing	2
15	529-015	Needle Roller Clutch	1
16	529-016	Ball Bearing	1
17	529-017	Wiper Seal	1
20	529-020	Socket Screw	4
21	529-021	Socket Screw	2
22	529-022	Socket Screw	1

NOTE: Please apply silicone sealer to the mating surfaces when joining the Motor Cover (Part 2) and the Gear Train Cover (Part 3) to the Maincase (Part 1).

Item No.	Part or Spares Number	Description	Qty.
23	447-047	Socket Screw	2
24	529-024	Socket Screw	3
25	529-025	Socket Screw	4
26	529-026	Internal Circlip	1
27	529-027	External Circlip	1



28	529-028	Horizon 500 Nameplate	1
31	529-031	Locking Disc	1
45	6052945	Compound Gear Assembly	1
61	445-023	Mounting Studs	3
62	445-026	Nut	3
63	445-030	Washer	3
75	529-075	Chainpipe Sleeve	1
90	529-090	Mainshaft	1
99	529-099	Clutch Cone	1

H500

